


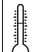


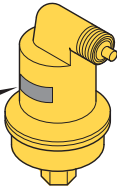
Mounting and operating instruction

For article no's starting with AB, except for ABS

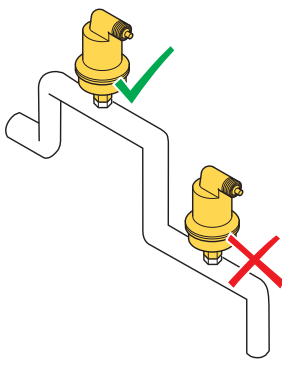
17.656-02

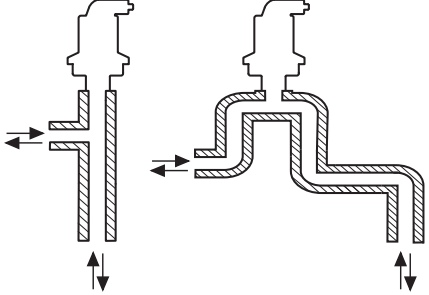
 




 0- ... bar
 0- ... °C




Acc.PED (97/23/EC)§3.3)

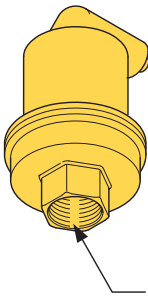






  

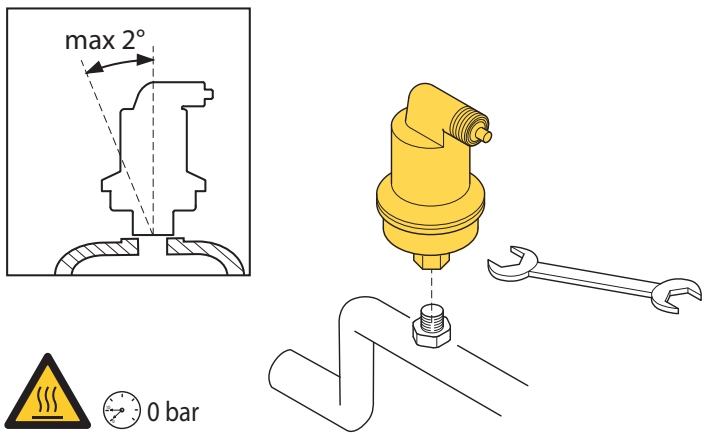
< 50% glycol







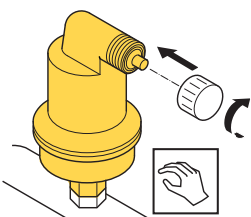
Rp $\frac{1}{2}$


  0 bar

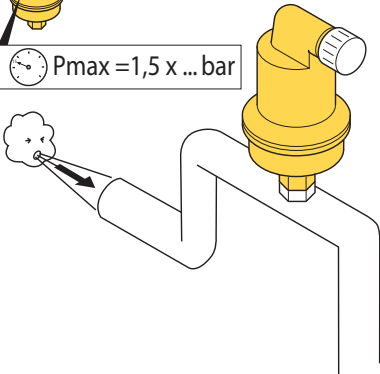



max 2°

 0 bar 



 Pmax = 1,5 x ... bar



 0 bar

