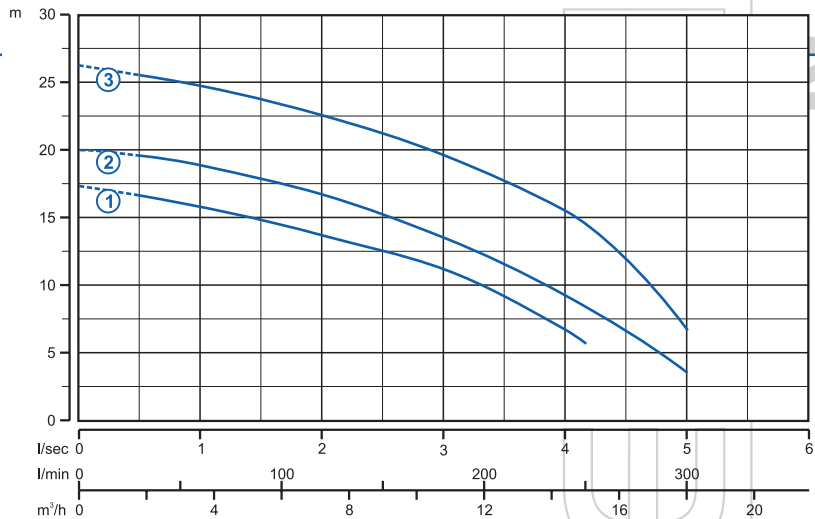


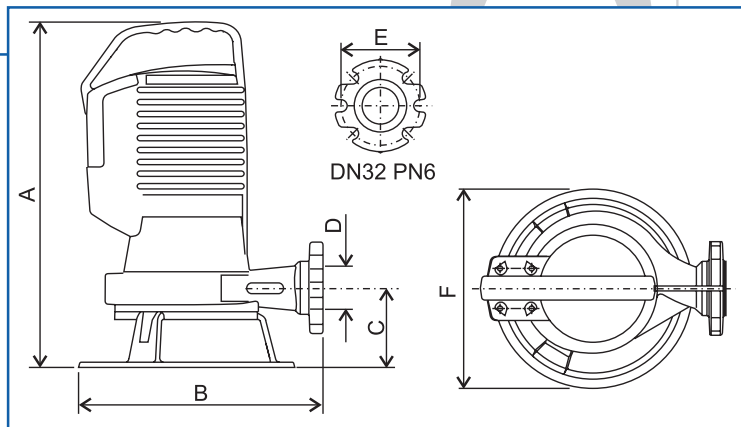
Гидравлические характеристики



l/s	0	1	2	3	4	5
l/min	0	60	120	180	240	300
m³/h	0	3.6	7.2	10.8	14.4	18

① GR BluePRO 100/2/G32H M(T)	17.4	15.8	13.7	11.1	6.9	
② GR BluePRO 150/2/G50H M(T)	20.0	18.9	16.9	13.4	9.2	3.7
③ GR BluePRO 200/2/G50H M(T)	26.2	24.9	22.5	19.5	15.3	6.9

Габариты



	A	B	C	D	E	F	Kg
GR BluePRO 100/2/G32H M(T)	364	255	95	1 1/2"	90	220	19
GR BluePRO 150/2/G50H M(T)	410	285	97	1 1/2"	90	230	24
GR BluePRO 200/2/G50H M(T)	410	285	97	1 1/2"	90	230	25