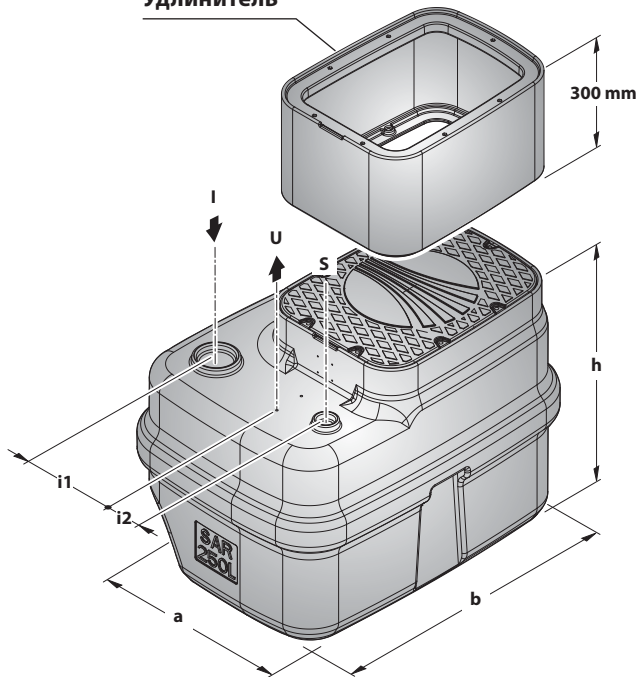


## РАЗМЕРЫ И ВЕС

Удлинитель



[www.pompa.kiev.ua](http://www.pompa.kiev.ua)

| ТИП                   | ПАТРУБКИ  |      |          | РАЗМЕРЫ mm |     |     |     |     | kg   |
|-----------------------|-----------|------|----------|------------|-----|-----|-----|-----|------|
|                       | I         | U    | S        | a          | b   | h   | i1  | i2  |      |
| SAR 250 - NKm 2/1-GE  | 100<br>mm | 1/4" | 50<br>mm | 700        | 970 | 715 | 250 | 130 | 49.9 |
| SAR 250 - TOP MULTI   |           |      |          |            |     |     |     |     | 45.4 |
| SAR 250 - TOP3        |           |      |          |            |     |     |     |     | 42.6 |
| SAR 250 - TOP4        |           |      |          |            |     |     |     |     | 46.1 |
| SAR 250 - TOP5        |           |      |          |            |     |     |     |     | 47.1 |
| SAR 250 - RXm2        |           |      |          |            |     |     |     |     | 41.8 |
| SAR 250 - RXm3        |           |      |          |            |     |     |     |     | 42.1 |
| SAR 250 - RXm4        |           |      |          |            |     |     |     |     | 48.7 |
| SAR 250 - RXm5        |           |      |          |            |     |     |     |     | 49.7 |
| SAR 250 - ZDm 1A-E    |           |      |          |            |     |     |     |     | 47.5 |
| SAR 250 - ZDm 1AR-E   |           |      |          |            |     |     |     |     | 47.8 |
| SAR 250 - Dm10        |           |      |          |            |     |     |     |     | 48.7 |
| SAR 250 - Dm15        |           |      |          |            |     |     |     |     | 50.7 |
| SAR 250 - Dm20        |           |      |          |            |     |     |     |     | 49.0 |
| SAR 250 - Dm30        |           |      |          |            |     |     |     |     | 51.0 |
| SAR 250 - TOP-VORTEX  |           |      |          |            |     |     |     |     | 41.1 |
| SAR 250 - RXm 3/20    |           |      |          |            |     |     |     |     | 42.3 |
| SAR 250 - RXm 4/40    |           |      |          |            |     |     |     |     | 49.0 |
| SAR 250 - RXm 5/40    |           |      |          |            |     |     |     |     | 50.0 |
| SAR 250 - ZXm 1A/40   |           |      |          |            |     |     |     |     | 47.7 |
| SAR 250 - VXm 10/35   |           |      |          |            |     |     |     |     | 49.3 |
| SAR 250 - VXm 15/35   |           |      |          |            |     |     |     |     | 52.3 |
| SAR 250 - VXm 10/50   |           |      |          |            |     |     |     |     | 49.9 |
| SAR 250 - VXm 15/50   |           |      |          |            |     |     |     |     | 53.0 |
| SAR 250 - MCm 10/50   |           |      |          |            |     |     |     |     | 50.1 |
| SAR 250 - MCm 12/50   | 53.0      |      |          |            |     |     |     |     |      |
| SAR 250 - VXm 10/35-I | 55.8      |      |          |            |     |     |     |     |      |
| SAR 250 - VXm 10/50-I | 55.6      |      |          |            |     |     |     |     |      |
| SAR 250 - MCm 10/50-I | 55.9      |      |          |            |     |     |     |     |      |